

M3514-MP

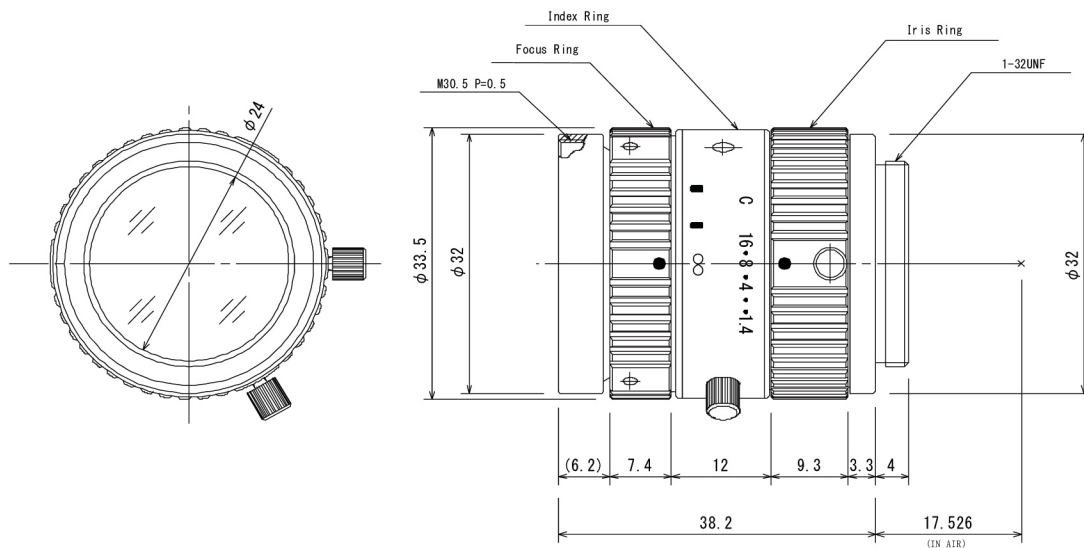
f=35mm F1.4
for 2/3 type Megapixel Cameras
C-Mount



Model No.		M3514-MP		Effective	Front	φ 24mm		
Focal Length		35mm		Lens Aperture	Rear	φ 12mm		
Max. Aperture Ratio		1:1.4		Distortion	2/3 type	-0.8%(γ=5.5)		
Max. Image Format		8.8mm x 6.6mm(φ 11mm)			1/2 type	-0.39%(γ=4.0)		
Operation Range	Iris	F1.4 - F16C		Back Focal Length		17.1mm		
	Focus	0.3m - Inf.		Flange Back Length		17.526mm		
Control	Iris	Manual		Mount		C-Mount		
	Focus	Manual		Filter Size		M30.5 P=0.5mm		
Object Dimension at M.O.D	2/3 type	8.1cm x 6cm		Dimensions		φ 33.5mm x 38.2mm		
	1/2 type	5.9cm x 4.4cm		Weight		87g		
Angle of View	D	2/3 type	17.3°	1/2 type	12.6°			
			13.9°					10.1°
			10.4°					
	H							
	V							
Operating Temperature		-10°C - +50°C						

M.O.D : Minimum Object Distance

Dimensions



Specifications are subject to change without notice.